

**Iconic – dimkasta**

Sheet: /Common LM317/

File: lm317.kicad\_sch

**Title: LM317 Common Assembly**

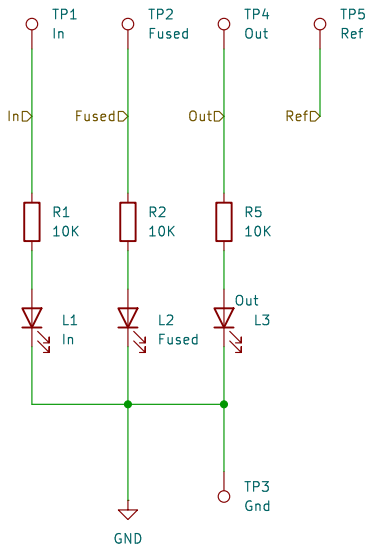
Size: A5

Date: 2024-05-29

Rev: 1.2024.1.a

KiCad E.D.A. 8.0.3

Id: 2/3



<b>Iconic – dimkasta</b>		
Sheet: /Monitoring/ File: monitoring.kicad_sch		
<b>Title: SL1200 Entry Regulator – Monitoring</b>		
Size: A5	Date: 2024-06-05	Rev: 0.3.2024.a
KiCad E.D.A. 8.0.3		Id: 3/3